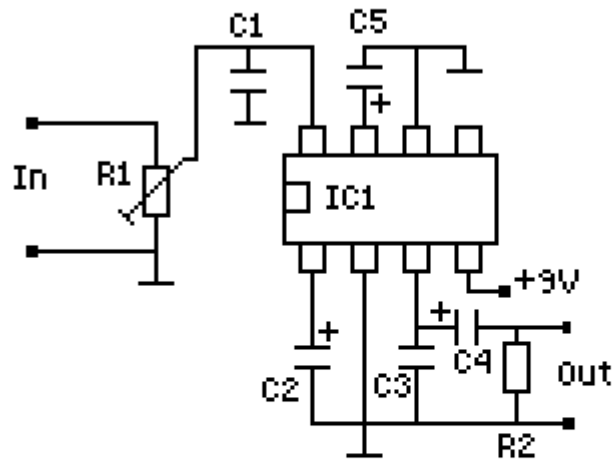


1-Watt-NF-Verstärker

1W-AMPLIFIER WITH U420B



IC1= U420B In: Signal input
C1= 1nF cer. Out: Speaker 4-16 ohms, 1W
C2= 100uF/16V
C3= 0,15uF
C4= 220uF/16V
C5= 47uF/16V optional
R1= 100k var
R2= 220

www.trigonal.de